

1720-A
1720-B
1820-C

Composite self-lubricating guide bush
复合型自润滑导套



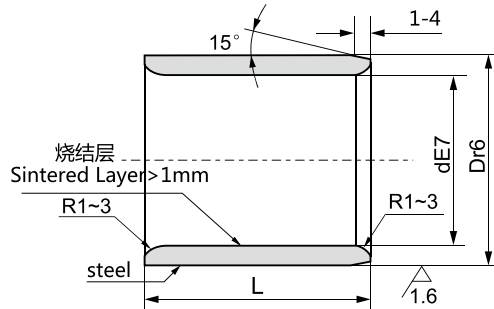
1720-A



1720-B



1820-C

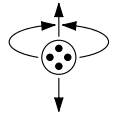


Material: 材料:

1720-A: 钢铸黄铜 + 固体润滑剂 (镶嵌型) Steel cast brass + solid lubricant (set type)

1720-B: 钢烧结铜合金 + 固体润滑剂 (弥散型) Steel sintered copper alloy + solid lubricant (dispersion type)

1820-C: 钢烧结铁镍合金 + 固体润滑剂 (弥散型) Steel sintered iron-nickel alloy + solid lubricant (dispersion type)



1721-A/1720-B/1820-C. Composite self-lubricating guide bush

1721-A/1720-B/1820-C. 复合型自润滑导套

d	20	25	25	28	30	30	35	35	40	45	45	50	50	50	55	60	60	65	70	70	75	75	80	80	90	100				
		+0.073								+0.089										+0.106									+0.126	
		+0.040								+0.050											+0.060									+0.072
D	30	33	35	38	38	40	44	45	50	55	60	62	65	70	74	75	80	85	90	90	95	96	100	110	120					
	+0.049				+0.059						+0.071				+0.073						+0.086						+0.089			
	+0.028				+0.034						+0.041				+0.043						+0.051						+0.054			
10																														
12		●			●																									
15	●	●	●		●	●			●																					
16	●	●	●																											
19																														
20	●	●	●	●	●	●	●	●	●					●																
25	●	●	●	●	●	●	●	●	●																					
30	●	●	●	●	●	●	●	●	●	●	●	●	●	●	●	●	●	●	●	●	●	●	●	●	●	●	●			
35	●	●	●	●	●	●	●	●	●	●	●	●	●	●	●	●	●	●	●	●	●	●	●	●	●	●	●			
40	●	●	●	●	●	●	●	●	●	●	●	●	●	●	●	●	●	●	●	●	●	●	●	●	●	●	●			
50	●	●	●	●	●	●	●	●	●	●	●	●	●	●	●	●	●	●	●	●	●	●	●	●	●	●	●			
60		●	●		●	●	●	●	●	●	●	●	●	●	●	●	●	●	●	●	●	●	●	●	●	●	●			
70									●		●	●	●	●	●	●	●	●	●	●	●	●	●	●	●	●	●			
80									●		●	●	●	●	●	●	●	●	●	●	●	●	●	●	●	●	●			
90														●											●	●	●			
100														●											●	●	●			
120																									●	●	●			

Order 订购 Catalog No. 目录号 . d . D . L - 材质

1720 . 020 . 030 . 015 - A

1720 . 020 . 030 . 015 - B

1820 . 020 . 030 . 015 - C