

1760-A
1760-B
1860-C

Flanged composite self-lubricating guide bush, ISO 9448-6
带法兰复合型自润滑导套, ISO 9448-6



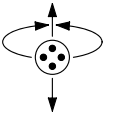
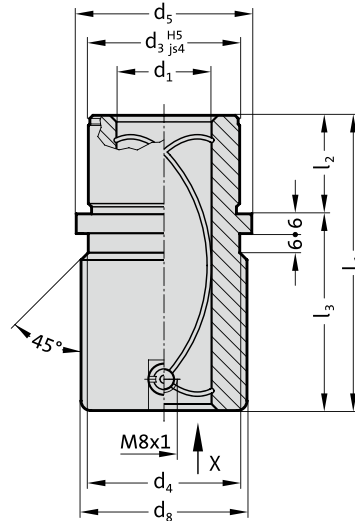
1760-A



1760-B



1860-C



Material 材料:

1760-A: 钢铸锡青铜
Steel cast tin bronze

1760-B: 钢烧结铜合金 + 固体润滑剂 (弥撒型)
Steel sintered copper alloy + solid lubricant (mass type)

1860-C: 钢烧结铁镍合金 + 固体润滑剂 (弥撒型)
Steel sintered iron-nickel alloy + solid lubricant (mass type)

Description 说明:

外径表面高频处理 OD surface high frequency processing

硬度 Hardness: 500+100 HV 10.

1760-A./1760-B./1860-C. Flanged composite self-lubricating guide bush, ISO 9448-6
1760-A./1760-B./1860-C. 带法兰复合型自润滑导套, ISO 9448-6

	19 20	24 25	30 32	38 40	48 50	60 63	80
d ₁	19 20	24 25	30 32	38 40	48 50	60 63	80
允许偏差	+0.012 +0.003	+0.012 +0.003	+0.015 +0.004	+0.015 +0.004	+0.015 +0.004	+0.018 +0.005	+0.018 +0.005
d ₃	32	40	48	58	70	85	105
d ₄	32	40	48	58	70	85	105
d ₅	40	48	56	66	80	95	118
d ₈	39	46	53	63	77	92	115
l ₁	59	79	93	108	127	150	150
l ₂	23	23	30	37	47	60	60
l ₃	36	56	63	71	80	90	90



Order 订购

Catalog No. 目录号

d₁

l₁

材质

1760	.	019	.	059	-	A
1760	.	019	.	059	-	B
1860	.	019	.	059	-	C