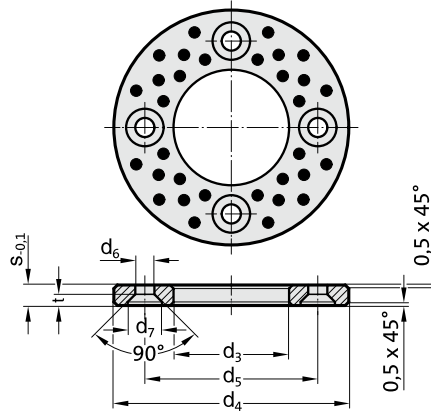


1210
1211

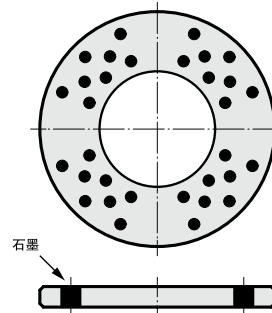
Self lubricating gasket
自润滑垫片



1210.



1211.



Material 材料:

CuZn25Al5Fe3Mn3+ 固体润滑剂 Solid lubricant



1210./1211. Self lubricating gasket
1210./1211. 自润滑垫片

d ₁	10	12	13	14	15	16	18	20	25	30	35	40	45	50	55	60	65	70	75	80	90	100	120
d ₃	10.2	12.2	13.2	14.2	15.2	16.2	18.2	20.2	25.2	30.2	35.2	40.2	45.3	50.3	55.3	60.3	65.3	70.3	75.3	80.3	90.5	100.5	120.5
d ₄	30	40	40	40	50	50	50	50	55	60	70	80	90	100	170	120	125	130	140	150	170	190	200
d ₅	20	28	28	28	28	28	35	35	40	45	50	60	67.5	75	85	90	95	100	110	120	140	160	175
d ₆	3.4	3.4	3.4	3.4	3.4	3.4	3.4	5.5	5.5	5.5	5.5	6.6	6.6	6.6	6.6	9	9	9	9	9	11	11	11
d ₇	6.9	6.9	6.9	6.9	6.9	6.9	6.9	11.5	11.5	11.5	11.5	13.7	13.7	13.7	13.7	18.3	18.3	18.3	18.3	18.3	22.7	22.7	22.7
s	3	3	3	3	3	3	3	5	5	5	5	7	7	8	8	8	8	10	10	10	10	10	10
t	1.8	1.8	1.8	1.8	1.8	1.8	1.8	3	3	3	3	3.6	3.6	3.6	3.6	4.6	4.6	4.6	4.6	4.6	5.9	5.9	5.9

Order 订购 . .
 1210 . 020 . 005
 1211 . 020 . 005