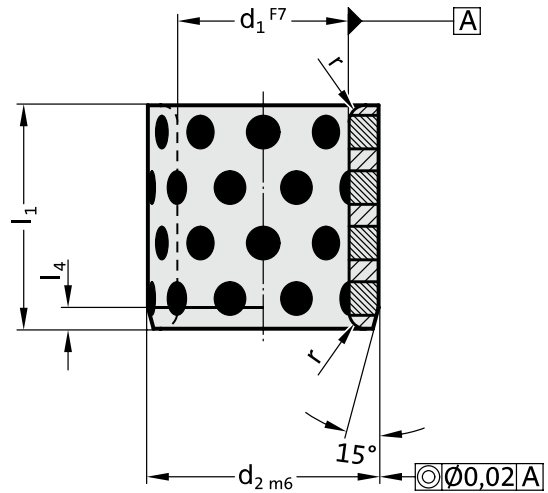


1220

Self-Lubricating Guide bush 自润滑导套



1220.



Material 材料:

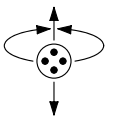
CuZn25Al5Fe3Mn3+ 固体润滑剂 Solid lubricant

Description 说明:

shaft sleeve can be used in the radial and axial.
轴套可以在径向和轴向使用。

Note 注意:

The inner diameter contracts when pressed.
压入时内径收缩。



1220. Self-Lubricating Guide bush

1220. 自润滑导套

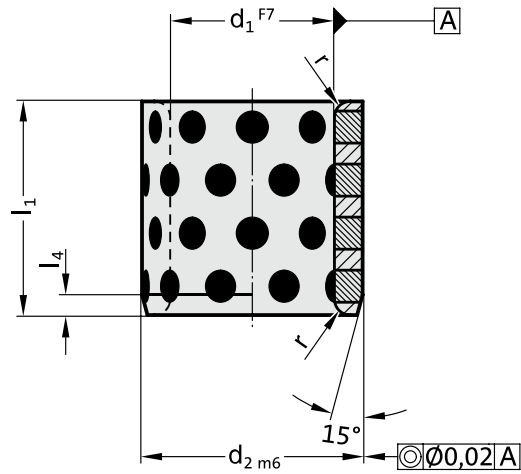
d ₁	8	10	10	12	13	14	15	16	18	19	20	20	20	24	25	25	25	28	30	30	30	30	31.5	32	35	35	38	40	40
d ₂	12	14	15	18	19	20	21	22	24	25	26	28	30	32	32	33	35	38	38	40	42	40	42	44	44	45	48	50	55
r	0.5	0.5	0.5	0.5	0.5	0.5	0.75	0.75	0.75	0.75	0.75	0.75	0.75	0.75	0.75	0.75	0.75	0.75	0.75	0.75	0.75	0.75	0.75	0.75	0.75	1.5	1.5	1.5	
l ₂	2	2	2	2	2	2	2	2	2	2	4	4	4	4	4	4	4	4	4	4	4	4	4	4	4	4	4	4	
l ₁																													
8	●	●																											
10	●	●	●	●	●	●	●	●																					
12	●	●		●	●	●	●	●																					
15	●	●		●	●	●	●	●	●																				
16				●	●	●	●	●	●																				
20		●		●	●	●	●	●	●																				
25				●	●	●	●	●	●																				
30				●		●	●	●	●																				
35								●	●																				
37									●																				
40								●	●																				
47																													
50																													
60																													
70																													
77																													
80																													

1220

Self-Lubricating Guide bush 自润滑导套



1220.



Material 材料:

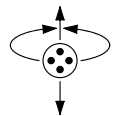
CuZn25Al5Fe3Mn3+ 固体润滑剂 Solid lubricant

Description 说明:

shaft sleeve can be used in the radial and axial.
轴套可以在径向和轴向使用。

Note 注意:

The inner diameter contracts when pressed.
压入时内径收缩。



1220. Self-Lubricating Guide bush
1220. 自润滑导套

d ₁	45	45	45	50	50	50	55	60	60	63	65	70	70	75	75	80	80	90	100	110	120	125	130	140	150	160
d ₂	55	56	60	60	62	65	70	74	75	75	80	85	90	95	96	100	100	110	120	130	140	145	150	160	170	180
r	1.5	1.5	1.5	1.5	1.5	1.5	2	2	2	2	2	2	2	2	2	2	2	2	2	2	2	2	2	2	2	2
l ₄	4	4	4	4	4	4	4	4		4	4	4	4	4	4	4	4	4	4	4	4	4	4	4	4	4
l ₁																										
30	●	●	●	●	●	●		●	●																	
35	●	●	●	●	●	●		●	●			●														
40	●	●	●	●	●	●	●	●	●								●	●								
50	●	●	●	●	●	●	●	●	●		●	●	●			●	●									
60	●	●	●	●	●	●	●	●	●	●	●	●	●	●	●	●	●		●	●						
70			●	●	●	●	●	●	●	●	●	●	●	●	●	●	●		●	●						
80			●	●	●	●	●	●	●	●	●	●	●	●	●	●	●	●	●	●	●	●	●			
95				●																						
100						●			●			●		●	●	●	●		●	●	●	●	●	●	●	●
120										●						●	●		●	●	●	●	●	●	●	●
130																						●	●	●	●	●
140																	●					●	●	●	●	●
150																									●	●

Order 订购 Catalog No. 目录号 . d₁ . d₂ . l₁
 1220 . 045 . 055 . 030