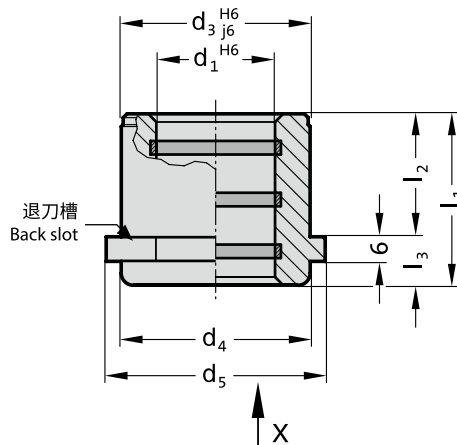
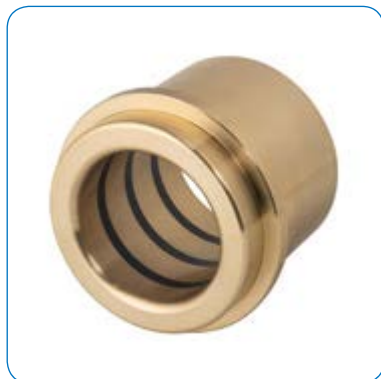


1260

With flange, inner diameter self-lubricating guide bush, ISO 9448-6
带法兰, 内径自润滑导套, ISO 9448-6



1260.



Material 材料:

CuZn25Al5Fe3Mn3+ 内径自润滑环 Self-lubricating ring

Structure 结构:

The working face has a self-lubricating ring.
Bushing can be used axially.
工作面有自润滑环,
轴套可以轴向使用。

Note 注意:

The inner diameter contracts when pressed.
压入时内径收缩。



1260. With flange, inner diameter self-lubricating guide bush, ISO 9448-6
1260. 带法兰, 内径自润滑导套, ISO 9448-6

d ₁	19 20	24 25	30 32	38 40	48 50	60 63	80
d ₃	32	40	48	58	70	85	105
d ₄	32	40	48	58	70	85	105
d ₅	40	48	56	66	80	95	118
l ₁	35	35	42	52	65	80	80
l ₂	23	23	30	37	47	60	60
l ₃	12	12	12	15	18	20	20



Order 订购

Catalog No. 目录号

1260

d₁

020

l₁

035