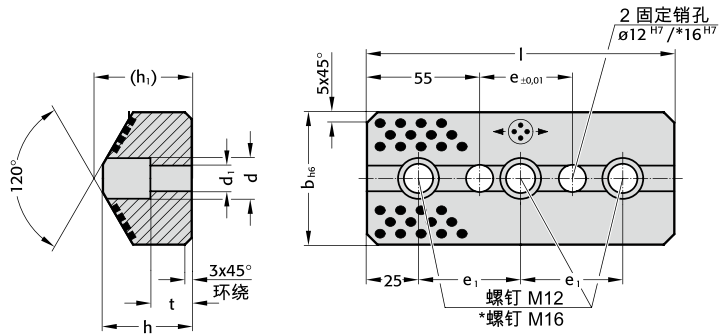


2280

Wedge self-lubricating V-shaped guide plate, VDI3357
斜楔自润滑 V 型导向板, VDI3357



2280.



Material 材料:

CuZn25Al5Fe3Mn3 + 固体润滑剂 Solid lubricant

2280. Wedge self-lubricating V-shaped guide plate, VDI3357
2280. 斜楔自润滑 V 型导向板, VDI3357

| b | h | (h1) | h3 | l | e | e ₁ | d | d1 | t | 螺栓孔数量 |
|-----|----|------|----|-----|-----|----------------|----|------|----|-------|
| 65 | 44 | (47) | 65 | 150 | 45 | 100 | 20 | 13.5 | 20 | 2 |
| 65 | 44 | (47) | 65 | 200 | 95 | 150 | 20 | 13.5 | 20 | 2 |
| 65 | 44 | (47) | 65 | 250 | 145 | 100 | 20 | 13.5 | 20 | 3 |
| 65 | 44 | (47) | 65 | 300 | 195 | 125 | 20 | 13.5 | 20 | 3 |
| 125 | 47 | (52) | 85 | 150 | 45 | 100 | 26 | 17.5 | 15 | 2 |
| 125 | 47 | (52) | 85 | 200 | 95 | 150 | 26 | 17.5 | 15 | 2 |
| 125 | 47 | (52) | 85 | 250 | 145 | 100 | 26 | 17.5 | 15 | 3 |
| 125 | 47 | (52) | 85 | 300 | 195 | 125 | 26 | 17.5 | 15 | 3 |
| 125 | 52 | (57) | 85 | 150 | 45 | 100 | 26 | 17.5 | 15 | 2 |
| 125 | 52 | (57) | 85 | 200 | 95 | 150 | 26 | 17.5 | 15 | 2 |
| 125 | 52 | (57) | 85 | 250 | 145 | 100 | 26 | 17.5 | 15 | 3 |
| 125 | 52 | (57) | 85 | 300 | 195 | 125 | 26 | 17.5 | 15 | 3 |



Order 订购

Catalog No. 目录号