

2570
2270

Wedge active plate, VDI 3357

斜楔主动板, VDI 3357



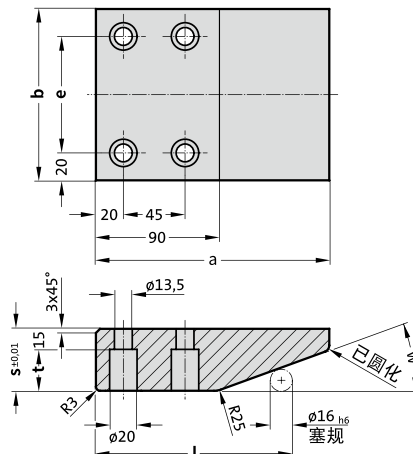
2570



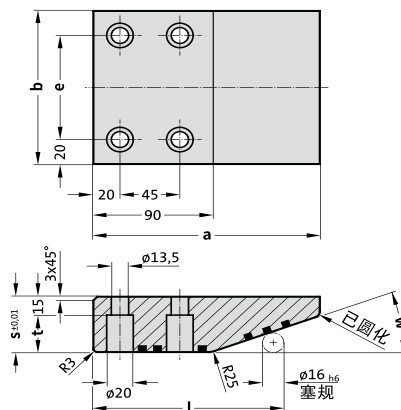
2270



2570.



2270.



Material 材料:

2570: Steel 钢

2270: CuZn25Al5Fe3Mn3 + 固体润滑剂

Description 说明:

2570: 表面高频处理 Surface high frequency processing

硬度 Hardnes:

2570: 55-60HRC

2270: ≥210HB

2570./2270. Wedge active plate, VDI 3357

2570./2270. 斜楔主动板, VDI 3357

| b | a | s | e | t | w | l |
|-----|-----|----|-----|----|----|--------|
| 100 | 170 | 45 | 60 | 30 | 20 | 143.37 |
| 125 | 170 | 45 | 85 | 30 | 20 | 143.37 |
| 150 | 170 | 45 | 110 | 30 | 20 | 143.34 |
| 200 | 170 | 45 | 160 | 30 | 20 | 143.37 |
| 100 | 150 | 45 | 60 | 30 | 30 | 127.86 |
| 100 | 170 | 60 | 60 | 45 | 30 | 127.86 |
| 125 | 150 | 45 | 85 | 30 | 30 | 127.86 |
| 125 | 170 | 60 | 85 | 45 | 30 | 127.86 |
| 150 | 150 | 45 | 110 | 30 | 30 | 127.86 |
| 150 | 170 | 60 | 110 | 45 | 30 | 127.86 |
| 200 | 150 | 45 | 160 | 30 | 30 | 127.86 |
| 200 | 170 | 60 | 160 | 45 | 30 | 127.86 |



Order 订购

Catalog No. 目录号

b

a

s

2570
2270

· 100
· 100

· 170
· 170

· 045
· 045