

1770-A
1770-B
1870-C

Flanged composite self-lubricating guide bush, ISO 9448-6
带法兰复合型自润滑导套, ISO 9448-6



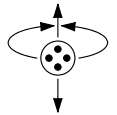
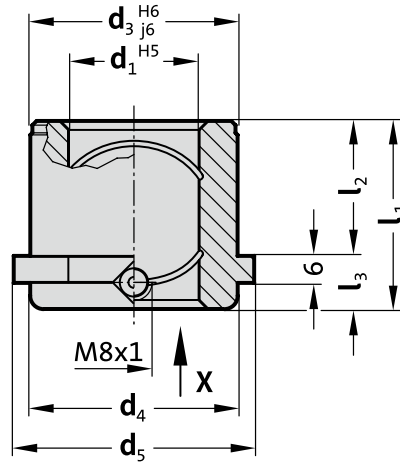
1770-A



1770-B



1870-C



Material 材料:

1770-A: 钢铸锡青铜
Steel cast tin bronze

1770-B: 钢烧结铜合金 + 固体润滑剂 (弥撒型)
Steel sintered copper alloy + solid lubricant (mass type)

1870-C: 钢烧结铁镍合金 + 固体润滑剂 (弥撒型)
Steel sintered iron-nickel alloy + solid lubricant (mass type)

Description 说明:

外径表面高频处理 OD surface high frequency processing

硬度 Hardness: 500+100 HV 10.

1770-A./1770-B./1870-C. Flanged composite self-lubricating guide bush, ISO 9448-6
1770-A./1770-B./1870-C. 带法兰复合型自润滑导套, ISO 9448-6

d ₁	19 20	24 25	30 32	38 40	48 50	60 63	80
d ₃	32	40	48	58	70	85	105
d ₄	32	40	48	58	70	85	105
d ₅	40	48	56	66	80	95	118
l ₁	35	35	42	52	65	80	80
l ₂	23	23	30	37	47	60	60
l ₃	12	12	12	15	18	20	20



Order 订购

Catalog No. 目录号

d₁

l₁

材质

1770	.	019	.	035	-	A
1770	.	019	.	035	-	B
1870	.	019	.	035	-	C