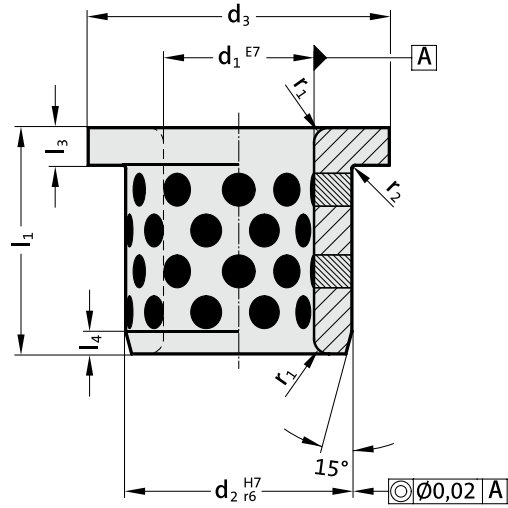


1240

With flange, self-lubricating guide bush 带法兰，自润滑导套



1240.



Material 材料:

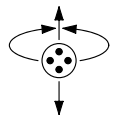
CuZn25Al5Fe3Mn3+ 固体润滑剂 Solid lubricant

Description 说明:

shaft sleeve can be used in the radial and axial.
轴套可以在径向和轴向使用。

Note 注意:

The inner diameter contracts when pressed.
压入时内径收缩。



1240. With flange, self-lubricating guide bush
1240. 带法兰，自润滑导套

d1	10	12	13	14	15	16	20	25	30	31.5	35	40	45	50	55	60	63	70	75	80	90	100	120
d2	14	18	19	20	21	22	30	35	40	40	45	50	55	60	65	75	75	85	90	100	110	120	140
d3	22	25	26	27	28	29	40	45	50	50	60	65	70	75	80	90	85	105	110	120	130	150	170
l3	2	3	3	3	3	3	5	5	5	5	5	5	5	5	5	7.5	7.5	7.5	7.5	10	10	10	10
l4	2	2	2	2	2	2	3	3	3	3	3	3	3	3	3	4	4	4	4	4	4	4	4
r1	1	1	1	1	1	1	2	2	2	2	2	2	2	2	2	3	3	3	3	3	3	3	3
r2	0.4	0.4	0.4	0.4	0.5	0.5	0.5	0.5	0.5	0.6	0.6	0.6	0.6	0.6	0.7	0.7	0.7	0.7	0.7	0.8	0.8	0.8	0.8
l1	15	20	25	30	35	40	50	60	70	80	90	100	120	140	160	180	200	220	250	300	350	400	500
15	●																						
20	●	●																					
25		●	●																				
30				●	●																		
35					●	●																	
40							●	●															
50									●	●													
60											●	●											
67.5													●	●									
80																●	●					●	●
100																						●	●

Order 订购 Catalog No. 目录号 . d1 . l1
1240 . 010 . 015