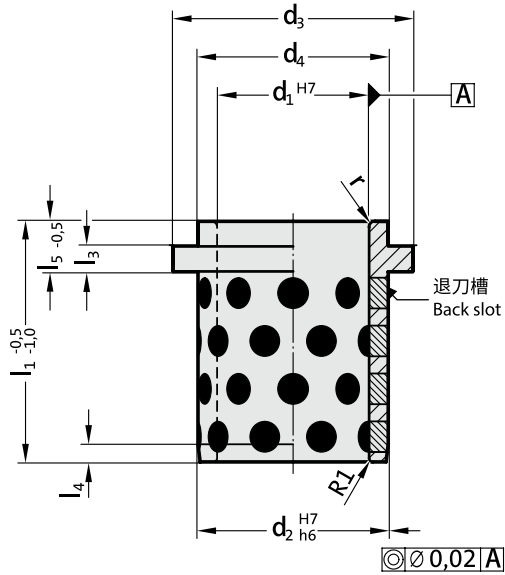


1261

With flange, self-lubricating guide bush, DIN 9834/ISO 9448
带法兰，自润滑导套，DIN 9834/ISO 9448



1261



Material 材料:

CuZn25Al5Fe3Mn3+ 固体润滑剂 Solid lubricant

Note 注意:

The guide bush can only be used in axial movement.

该导套只能在轴向运动上使用。



1261. With flange, self-lubricating guide bush, DIN 9834/ISO 9448

1261. 带法兰，自润滑导套，DIN 9834/ISO 9448

d ₁	24 25	30 32	38 40	48 50	60 63	80	100	125	160
d ₂	32	40	50	63	80	100	125	160	200
d ₃	40	50	63	71	90	112	140	180	220
d ₄	32	40	50	63	80	100	125	160	200
l ₁	40	50	63	71	80	100	125	160	200
l ₃	6.3	6.3	6.3	6.3	10	10	10	10	10
l ₄	3	4	5	6.3	8	10	12.5	16	16
l ₅	10	12	15	17	19	22	21	30	32
r	3	3	3	5	6	8	10	12	18

Order 订购 Catalog No. 目录号 . d₁ . l₁
1261 . 024 . 040